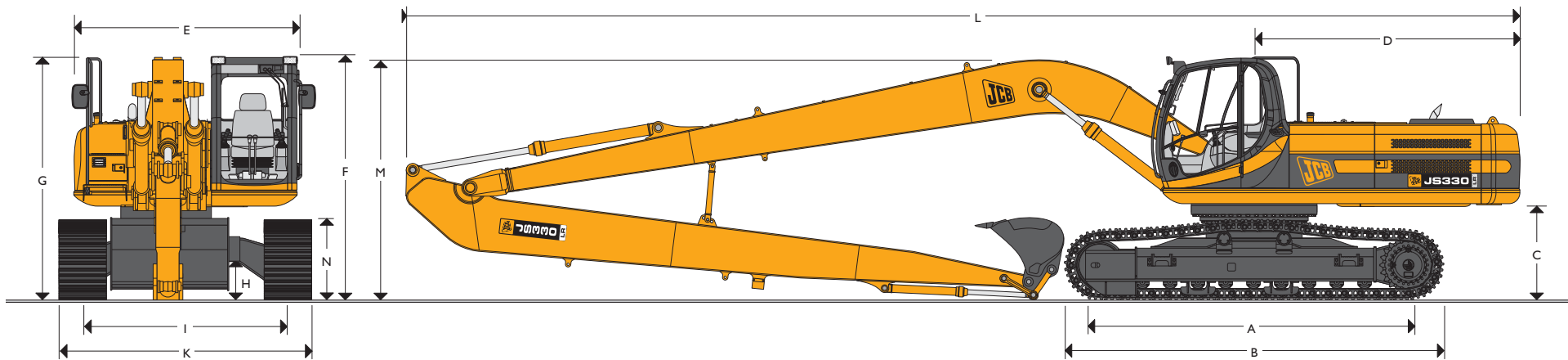




JCB TRACKED EXCAVATOR | JS 330 LONG REACH



MAX. OPERATING WEIGHT 39904 kg (87973 lb)
 NETT ENGINE POWER TIER 3 – 202 kW (271 hp)
 TIER 2 – 178 kW (239 hp)



STATIC DIMENSIONS

Dimensions in millimetres (ft-in)	LR
A Track length on ground	3910 (12-10)
B Undercarriage overall length	4510 (14-10)
C Counterweight clearance	1190 (3-11)
D Tail swing radius	3250 (10-8)
E Overall width of superstructure	2990 (9-10)
F Height over cab	3170 (10-5)
G Height over grab rail	3196 (10-6)
H Ground clearance	500 (1-8)

Dimensions in millimetres (ft-in)	LR
I Track gauge	2600 (8-6)
K Width o/tracks (700mm shoes)	3300 (10-10)
K Width o/tracks (800mm shoes)	3400 (11-2)
K Width o/tracks (900mm shoes)	3500 (11-6)
L Transport length	16772 (55-0)
M Transport height	4103 (13-6)
N Track height	1026 (3-4)
K Width over tracks (600mm shoes)	3200 (10-6)



JCB TRACKED EXCAVATOR | JS 330 LONG REACH



ENGINE

Model	Isuzu AH-6HK1X Tier 2 or Tier 3.
Type	Water cooled, 4-stroke, 6-cylinder in-line, common rail direct injection, turbocharged and intercooled diesel.
Net power T3 (SAE J1349 and 80/1269/EEC)	202kW (271hp) at 2000rpm.
Gross power T3	210kW (281hp) at 2000rpm.
Net power T2	178kW (239hp) at 2000rpm.
Gross power T2	187kW (251hp) at 2000rpm.
Piston displacement	7.8 litres (475 cu.in.)
Bore/stroke	115mm x 125mm (4.5in. x 4.9in.)
Air filtration	Dry element with secondary safety element and in-cab warning indicator.
Starting system	24 volt.
Batteries	2 x 12 volt.
Alternator	24V, 50 ampere.

SWING SYSTEM

Swing motor	Axial piston type.
Swing brake	Hydraulic braking plus automatic spring applied disc type parking brake.
Final drive	Planetary reduction.
Swing speed	9.5 rpm
Swing gear	Large diameter, internally toothed fully sealed grease bath lubricated.
Swing lock	Switchable brake.

UNDERCARRIAGE

Carriage options	L-Long Carriage.
Construction	Fully welded, 'X' frame type with central bellyguarding and sloping sidemembers with dirt relief holes under top rollers.
Recovery point	Front and rear.
Track shoe options	700mm (28in), 800mm (32in), 900mm (34in).
Upper & lower rollers	Heat treated, sealed and lubricated.
Track adjustment	Grease cylinder type.
Track idler	Sealed and lubricated, with spring cushioned recoil.
Track type	Sealed and lubricated.
	L
No. of track guides	2 per side
No. of lower rollers	9 per side
No. of upper rollers	2 per side
No. of track shoes	50 per side

EXCAVATOR END

Long reach boom and arm is standard on the JS330LR. Complete with 3HBCV. Designed for waterways maintenance application rather than material extraction applications. Machine can be ordered with loose standard monoboom and arms.

HYDRAULIC SYSTEM

A variable flow load sensing system with flow on demand, variable power output and servo operated, multi-function open centre control.

Pumps

Main pumps	2 variable displacement axial piston type.
Maximum flow	2 x 290 L/min (2 x 64 UK GPM).
Servo pump	Gear type.
Maximum flow	30 L/min (6.6 UK GPM).

Control valve

A combined four and five spool control valve with auxiliary service spool as standard. When required twin pump flow is combined to boom, and bucket services for greater speed and efficiency.

Relief valve settings

Boom/Arm/Bucket	319 bar (4627lb/sq.in)
With power boost	348 bar (5047lb/sq.in)
Swing circuit	280 bar (4061lb/sq.in)
Travel circuit	325 bar (4712lb/sq.in)
Pilot control	45 bar (652lb/sq.in)

Hydraulic cylinders

Double acting type, with bolt-up end caps and hardened steel bearing bushes. End cushioning is fitted as standard on boom, dipper and bucket rams.

Filtration

The hydraulic components are protected by the highest standard of filtration to ensure long hydraulic fluid and component life.

In tank	150 micron, suction strainer.
Main return line	10 micron, fibreform element.
Plexus bypass line	1.5 micron, paper element.
Pilot line	10 micron, paper element.
Hydraulic hammer return	10 micron, reinforced microform element.

Cooling

Worldwide cooling is provided via a single faced full return line air blast cooler with anti-block wavy cooling fins and separate easy clean fine mesh grill.

TRACK DRIVE

Type	Fully hydrostatic, three speed with autoshift.
Travel motors	Variable swash axial piston type, fully guarded within undercarriage frame.
Final drive	Planetary reduction, bolt-on sprockets.
Service brake	Hydraulic counter balance valve to prevent overspeeding on gradients.
Park brake	Disc type, spring applied, automatic hydraulic release.
Gradeability	70% (35 deg) continuous.
Travel speed	High – 5 km/h (3 mph). Mid – 3.4 km/h (2.1 mph). Low – 2.4 km/h (1.5 mph).
Tractive effort	244kN (24900kgf, 54904lbf).



JCB TRACKED EXCAVATOR | JS 330 LONG REACH



CAB

Excellent digging, loading and positioning visibility results from the careful design of front, side and roof lights. All screens are tinted to improve in cab conditions.

Fully opening front screen is very smooth to operate and as the lower screen is stored within the top screen frame it makes complete front screen opening easy, fast and convenient.

Fresh air ventilation available from opening door window, opening slot in front screen and fully opening front screen.

Parallelogram wash wiper for upper screen ensuring good wiped area for maximum visibility. Wiper motor is fitted in the left hand side of the roof screen so as not to affect bucket visibility when loading. Optional lower screen wiper available.

Fresh air ventilation and heater with windscreen demister. Infinitely variable blower speed, temperature and recirculation control.

Climate control. Fully adjustable deluxe suspension seat with arm rest adjustment and backrest recline. Radio fitted into the roof lining for maximum protection. Conveniently placed radio mute button incorporated into lower console. 12v power point and mobile phone holder built into the right hand console. Courtesy light can be operated from ground level and is illuminated for five minutes or until switched off improving operator access at night. Cab mounted roller blind protects operator from suns' glare through front or top screens.

AMS – ADVANCED MANAGEMENT SYSTEM

Four selectable working modes link the operators control movements with the engine and hydraulic systems to maximise productivity and efficiency.

- A (Auto)** Up to 100% engine power and 100% flow. Gives variable power and speed depending on the operator's input, matching the demand for output and efficiency to the job. Power boost is automatically activated in this mode should hard conditions be encountered. Auto idle cuts in after a period of inactivity (between 5 and 30 seconds as set by the operator)
- E (Economy)** 80% engine power. 95% of hydraulic flow maximises economy while maintaining excellent output.
- P (Precision)** 55% engine power. 90% of hydraulic flow for fine control of grading operations.
- L (Lifting)** 55% engine power. 63% of hydraulic flow with permanent power boost for maximum lifting power and control.

The Auto mode allows the AMS processor to select the optimum operational performance to match the demands of the job while the three alternative modes give precise matching of application when specific tasks are undertaken.

The adjustable position monitor mounted on the front right hand pillar of the cab gives the operator a constant read out of mode, tracking range, operating temperature and a host of other information, while retaining excellent visibility of the monitor and the job being carried out.

The required flow for hammer applications can be set and stored in the AMS memory and is automatically activated whenever the hammer pedal is depressed.

A maintenance indicator warns of imminent service needs, and all servicing and basic checks can be carried out using only the in cab display.

CONTROLS

- Excavator** All servo lever operated to ISO control pattern, independently adjustable to the seat.
- Tracks** Individually servo operated by foot pedal or hand lever.
Speed selection via joystick button.
- Auxiliary** Via servo operated foot pedal.
- Control isolation** Via gate lock lever at cab entrance or panel switch.
- Engine speed** Dial type throttle control plus servo lever mounted one-touch idle control or separate selectable auto-idle with adjustable time delay using AMS.
- Engine stop** Ignition key operated and separate shut-down button.
- Horn** Operated via servo lever mounted button.

SERVICE CAPACITIES

	Litres	UK gal
Fuel tank	518	114
Engine coolant	38.0	8.4
Engine oil	38.0	8.4
Swing reduction gear	14.5	3.19
track reduction gear (each side)	8.5	1.87
Hydraulic system	320.0	70.4
Hydraulic tank	152.0	33.4

STANDARD / OPTIONAL EQUIPMENT

Standard Equipment: Engine fan guard; Cold start pre-heat; Auto engine warm up; Double element air cleaner; Electric refuelling pump; Heavy duty alternator; Electrics isolator; Heavy duty batteries; Cab & engine soundproofing; Cab heater & screen demister; Tinted glass; Interior light; Coat hook; Cigarette lighter; Ashtray; Climate control; Operator's storage shelf; Removable floor mat; Windscreen wash/wipe; Plug-in power socket; Automatic power boost; Auto-idle; One-touch engine speed control; Hydraulic cushion control; Boom/swing priority switch; Plexus hydraulic oil filtration; HSP pressure test points; Auxiliary pipework mounting brackets; Work lights – boom & mainframe mounted; Undercarriage belly guarding; Upper structure under covers; Swing system cover; Twin track guides; External mirrors; Handrail & non slip walk ways; Quick connect engine oil drain pipe; Front screen blind; Quick connect fuel tank drain pipe; Hinged engine under cover; 3 hose burst check valves.

Optional Equipment: Tipping link mounted lift points; General purpose buckets; Ditch/grading buckets; Quickhitch buckets; Auxiliary pipework (low flow); Cab mounted & rear work lights; Rotating beacon; Rain guard; Biodegradeable oil; Air suspension seat with heated pad and lumbar support adjustment; lower screen wiper; Radio; Cab protection guarding (FOPS level II); High and low temperature hydraulic oil option.

WEIGHTS

Equipped with 12.33m (40ft 5in.) boom, 9.50m (31ft 2in) arm, 0.5m³ ditching bucket, operator and full fuel tank.

JS330 LR		
Shoe Width	Operating Weight	Ground Bearing Pressure
700mm (28in)	39104kg (86210lb)	0.66kgf/sq.cm (9.45lb/sq.in)
800mm (31in)	39504kg (87091lb)	0.58kgf/sq.cm (8.27lb/sq.in)
900mm (35in)	39904kg (87973lb)	0.52kgf/sq.cm (7.35lb/sq.in)

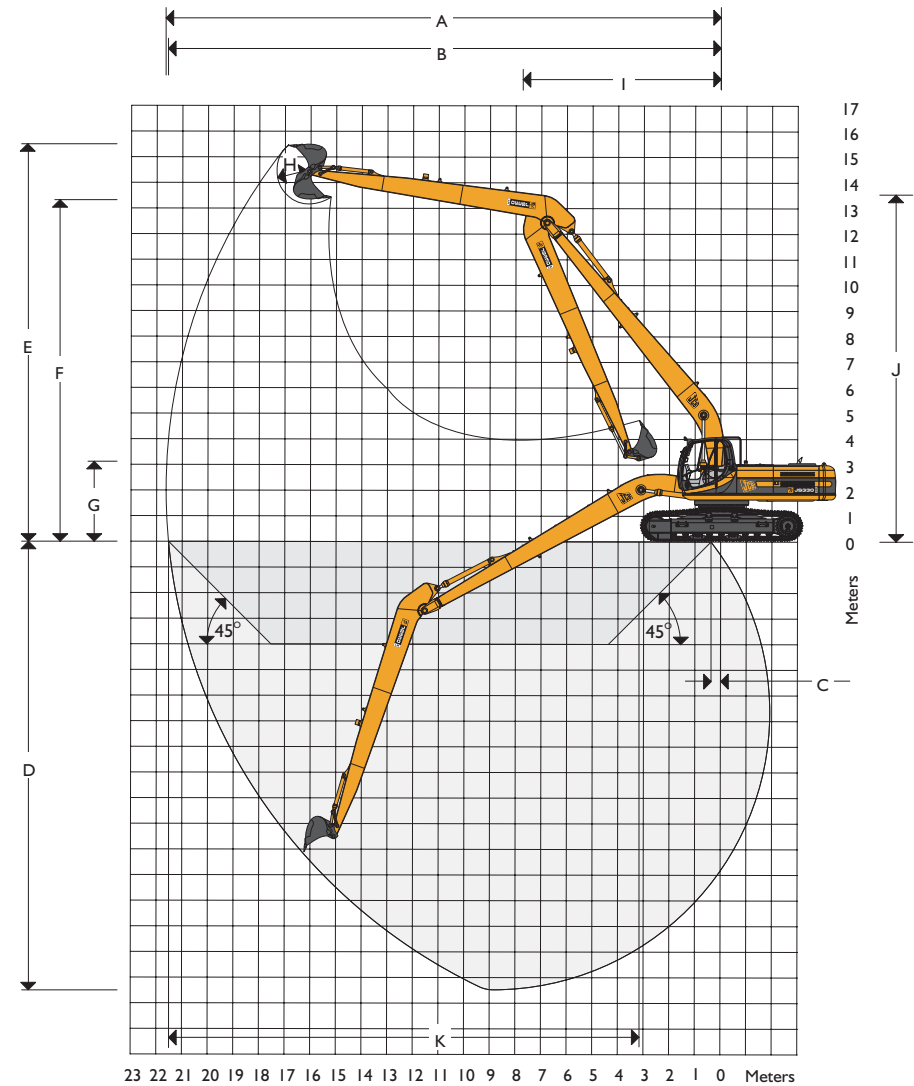


JCB TRACKED EXCAVATOR | JS 330 LONG REACH



WORKING RANGE

Boom length: 12.33m (40ft 5in)		
Dipper length		9.50m (31ft 2in)
A	Maximum reach	mm (ft-in) 21657 (71-1)
B	Maximum reach (on ground)	mm (ft-in) 21563 (70-9)
C	Minimum reach (on ground)	mm (ft-in) 373 (1-3)
D	Maximum depth	mm (ft-in) 17502 (57-5)
E	Maximum height	mm (ft-in) 15501 (50-10)
F	Maximum dumping height	mm (ft-in) 13321 (43-8)
G	Minimum dumping height	mm (ft-in) 3140 (10-4)
H	Bucket struck radius	mm (ft-in) 1302 (4-3)
I	Minimum swing radius	mm (ft-in) 7728 (25-4)
J	Minimum swing radius height	mm (ft-in) 13539 (44-5)
K	Maximum ground level span	mm (ft-in) 19963 (65-6)
Bucket rotation		182°
Dipper tearout		kgf (lbf) 9062 (19978)
Bucket tearout		kgf (lbf) 11992 (26438)



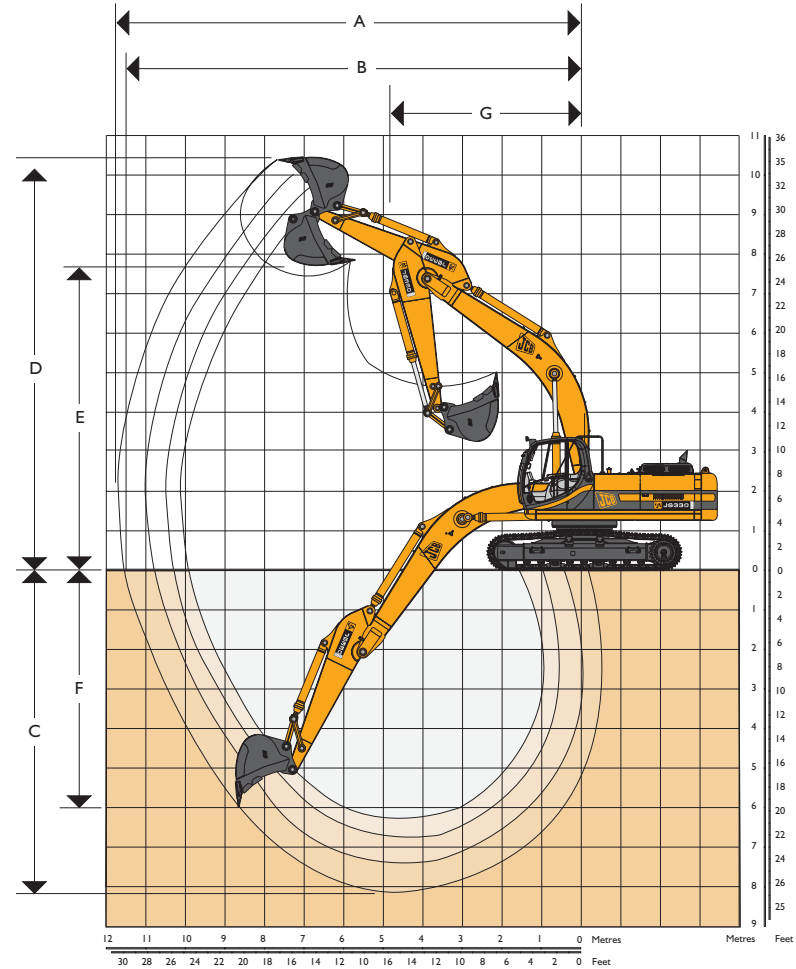


JCB TRACKED EXCAVATOR | JS 330 LONG REACH



WORKING RANGE

Standard Boom – Boom length: 6.45m (21ft 2in)			
Dipper length		2.21m (7ft 3in)	2.63m (8ft 8in)
A	Maximum digging reach	10170mm (33ft 4in)	10570mm (34ft 8in)
B	Maximum reach on ground	9960mm (32ft 8in)	10370mm (34ft 0in)
C	Maximum digging depth	6370mm (20ft 11in)	6800mm (22ft 4in)
D	Maximum digging height	9740mm (31ft 11in)	9980mm (32ft 9in)
E	Maximum dumping height	6710mm (22ft 0in)	6910mm (22ft 8in)
F	Maximum vertical cut depth	5020mm (16ft 6in)	5610mm (18ft 5in)
G	Minimum swing radius	4670mm (15ft 3in)	4640mm (15ft 3in)
	Bucket rotation	184.5°	184.5°
	Dipper tearout	kgf (lbf) 18300 (40350)	16100 (35500)
	Dipper tearout with boost	kgf (lbf) 20284 (44719)	17765 (39165)
	Bucket tearout	17900 (39470)	17900 (39470)
	Bucket tearout with boost	kgf (lbf) 19500 (43000)	19500 (43000)
Standard Boom – Boom length: 6.45m (21ft 2in)			
Dipper length		3.23m (10ft 7in)	4.03m (13ft 3in)
A	Maximum digging reach	11130mm (36ft 6in)	11860mm (38ft 11in)
B	Maximum reach on ground	10940mm (35ft 11in)	11680mm (38ft 4in)
C	Maximum digging depth	7390mm (24ft 3in)	8190mm (26ft 11in)
D	Maximum digging height	10280mm (33ft 8in)	10550mm (34ft 7in)
E	Maximum dumping height	7190mm (23ft 7in)	7460mm (24ft 6in)
F	Maximum vertical cut depth	6340mm (20ft 10in)	7120mm (23ft 4in)
G	Minimum swing radius	4510mm (14ft 10in)	4520mm (14ft 10in)
	Bucket rotation	184.5°	184.5°
	Dipper tearout with boost	kgf (lbf) 14805 (32639)	12875 (28385)
	Bucket tearout with boost	kgf (lbf) 19500 (43000)	19500 (43000)
ME Boom – Boom length: 6.10m (20ft 0in)			
Dipper length		2.21m (7ft 3in)	2.63m (8ft 8in)
A	Maximum digging reach	9782mm (32ft 1in)	10190mm (33ft 5in)
B	Maximum reach on ground	9566mm (31ft 5in)	9984mm (32ft 9in)
C	Maximum digging depth	5960mm (19ft 7in)	6387mm (20ft 11in)
D	Maximum digging height	9450mm (31ft 0in)	9722mm (31ft 11in)
E	Maximum dumping height	6662mm (21ft 10in)	6898mm (22ft 8in)
F	Maximum vertical cut depth	3097mm (10ft 2in)	3690mm (12ft 1in)
G	Minimum swing radius	4350mm (14ft 3in)	4347mm (14ft 3in)
	Bucket rotation	184.5°	184.5°
	Dipper tearout with boost	kgf (lbf) 20284 (44719)	17765 (39165)
	Bucket tearout with boost	kgf (lbf) 19500 (43000)	19500 (43000)





JCB TRACKED EXCAVATOR | JS 330 LONG REACH



LIFT CAPACITIES – Dipper length: 9.5m, Boom: 12.33m, Trackshoes: 700mm, No bucket.

JS330 LR

Load Point	Reach from swing centre																						
	0m		1.0m		2.0m		3.0m		4.0m		5.0m		6.0m		7.0m		8.0m		9.0m		10.0m		
Ht.	kg	kg	kg	kg	kg	kg	kg	kg	kg	kg	kg	kg	kg	kg	kg	kg	kg	kg	kg	kg	kg	kg	
13.0m																							
12.0m																							
11.0m																							
10.0m																							
9.0m																							
8.0m																							
7.0m																							
6.0m																							
5.0m																							
4.0m																							
3.0m										7270*	7270*	7220*	7220*					4100*	4100*	3590*	3590*	3190*	3190*
2.0m										4000*	4000*	7950*	7950*	6270*	6270*	5160*	5160*	4380*	4380*	3800*	3800*	3360*	3360*
1.0m										3220*	3220*	5670*	5670*	6690*	6690*	5480*	5480*	4630*	4630*	4000*	4000*	3520*	3520*
0m										3140*	3140*	4910*	4910*	7010*	7010*	5750*	5750*	4850*	4850*	4180*	4180*	3660*	3660*
- 1.0m							2480*	2480*	3350*	3350*	4730*	4730*	6850*	6850*	5960*	5940	5030*	5030*	4330*	4330*	3790*	3790*	
- 2.0m			2650*	2650*	2590*	2590*	2940*	2940*	3670*	3670*	4840*	4840*	6590*	6590*	6100*	5620	5160*	4770	4450*	4120	3900*	3600	
- 3.0m			3000*	3000*	3060*	3060*	3410*	3410*	4070*	4070*	5100*	5100*	6630*	6580	6190*	5390	5260*	4560	4540*	3930	3980	3420	
- 4.0m	3480*	3480*	3400*	3400*	3520*	3520*	3880*	3880*	4510*	4510*	5460*	5460*	6850*	6450	6220*	5240	5310*	4400	4600*	3780	4030*	3290	
- 5.0m	3810*	3810*	3820*	3820*	3990*	3990*	4370*	4370*	4980*	4980*	5890*	5890*	7200*	6390	6200*	5150	5310*	4300	4620*	3670	4060*	3190	
- 6.0m	4190*	4190*	4260*	4260*	4470*	4470*	4870*	4870*	5480*	5480*	6370*	6370*	7230*	6370	6130*	5110	5280*	4240	4610*	3600	4060*	3120	
- 7.0m	4590*	4590*	4710*	4710*	4960*	4960*	5380*	5380*	6010*	6010*	6900*	6900*	7060*	6400	6020*	5100	5210*	4210	4560*	3570	4030*	3080	
- 8.0m	5000*	5000*	5170*	5170*	5470*	5470*	5920*	5920*	6570*	6570*	7480*	7480*	6840*	6470	5860*	5130	5090*	4220	4470*	3560	3960*	3060	
- 9.0m	5430*	5430*	5650*	5650*	5980*	5980*	6470*	6470*	7160*	7160*	7740*	7740*	6560*	6560*	5650*	5200	4930*	4260	4350*	3590	3860*	3080	
- 10.0m	5880*	5880*	6140*	6140*	6520*	6520*	7060*	7060*	7790*	7790*	7290*	7290*	6220*	6220*	5390*	5290	4720*	4330	4170*	3640	3710	3120	
- 11.0m			6650*	6650*	7080*	7080*	7670*	7670*	8070*	8070*	6760*	6760*	5800*	5800*	5060*	5060*	4450*	4430	3950*	3720	3520*	3180	
- 12.0m					7660*	7660*	8310*	8310*	7250*	7250*	6140*	6140*	5310*	5310*	4660*	4660*	4120*	4120*	3660*	3660*	3270*	3270	
- 13.0m					8250*	8250*	7620*	7620*	6300*	6300*	5400*	5400*	4720*	4720*	4170*	4170*	3710*	3710*	3300*	3300*	2950*	2950*	
- 14.0m							6090*	6090*	5180*	5180*	4530*	4530*	4020*	4020*	3580*	3580*	3190*	3190*	2850*	2850*	2530*	2530*	
- 15.0m											3500*	3500*	3160*	3160*	2850*	2850*	2550*	2550*	2260*	2260*	1970*	1970*	
- 16.0m																	1720*	1720*	1480*	1480*			

Lift capacity front and rear.
 Lift capacity full circle.

Notes:

1. The above loads are in compliance with SAE and ISO Hydraulic Excavator Lift Capacity Standards.
2. They do not exceed 87% of hydraulic lifting capacity or 75% of tipping load.
3. Rated loads marked with an asterisk (*) are limited by hydraulic capacity rather than tipping load.



JCB TRACKED EXCAVATOR | JS 330 LONG REACH



LIFT CAPACITIES – Dipper length: 9.5m, Boom: 12.33m, Trackshoes: 700mm, No bucket.

JS330 LR

Load Point	Reach from swing centre																											
	11.0m		12.0m		13.0m		14.0m		15.0m		16.0m		17.0m		18.0m		19.0m		20.0m		21.0m		Max. Reach					
																									mm			
Ht.	kg	kg	kg	kg	kg	kg	kg	kg	kg	kg	kg	kg	kg	kg	kg	kg	kg	kg	kg	kg	kg	kg	kg	kg	mm			
13.0m														1180*	1180*									1120*	1120*	17083		
12.0m														1580*	1580*										1100*	1100*	17690	
11.0m														1580*	1580*	1270*	1270*								1100*	1100*	18222	
10.0m													1650*	1650*	1590*	1590*	1550*	1550*							1090*	1090*	18685	
9.0m													1670*	1670*	1610*	1610*	1560*	1560*	1170*	1170*					1100*	1100*	19083	
8.0m													1710*	1710*	1630*	1630*	1570*	1570*	1470*	1470*					1110*	1110*	19422	
7.0m														1830*	1830*	1740*	1740*	1660*	1660*	1600*	1600*	1540*	1540*			1120*	1120*	19704
6.0m								2000*	2000*	1890*	1890*	1790*	1790*	1700*	1700*	1620*	1620*	1560*	1560*						1140*	1140*	19931	
5.0m					2220*	2220*	2070*	2070*	1940*	1940*	1830*	1830*	1740*	1740*	1650*	1650*	1580*	1570	1270*	1270*					1170*	1170*	20105	
4.0m			2500*	2500*	2310*	2310*	2140*	2140*	2000*	2000*	1880*	1880*	1780*	1780*	1680*	1680*	1600*	1520	1440*	1310					1200*	1200*	20229	
3.0m	2870*	2870*	2610*	2610*	2400*	2400*	2220*	2220*	2060*	2060*	1930*	1930*	1820*	1820*	1720*	1680	1630*	1460	1550*	1270					1230*	1210	20302	
2.0m	3010*	3010*	2720*	2720*	2490*	2490*	2290*	2290*	2130*	2130*	1980*	1980*	1860*	1840	1750*	1610	1660*	1410	1570*	1230					1280*	1170	20325	
1.0m	3140*	2140*	2830*	2830*	2580*	2580*	2360*	2360*	2190*	2190*	2030*	1990	1900*	1760	1780*	1550	1680*	1360	1590*	1190					1330*	1140	20298	
0m	3260*	3260*	2930*	2930*	2660*	2660*	2430*	2430	2240*	2150	2080*	1900	1940*	1680	1810*	1480	1700*	1310	1600*	1150					1390*	1110	20222	
- 1.0m	3360*	3340	3020*	2940	2730*	2600	2500*	2310	2300*	2050	2120*	1810	1970*	1610	1840*	1430	1720*	1260	1590*	1110					1460*	1100	20096	
- 2.0m	3450*	3160	3100*	2790	2800*	2470	2550*	2200	2340*	1950	2160*	1740	2000*	1540	1860*	1370	1730*	1220							1540*	1090	19918	
- 3.0m	3530*	3010	3160*	2660	2850*	2360	2600*	2100	2380*	1870	2190*	1670	2020*	1490	1880*	1330	1740*	1190							1630*	1100	19687	
- 4.0m	3580*	2890	3200*	2550	2890*	2270	2630*	2020	2400*	1800	2210*	1610	2040*	1440	1880*	1290	1730*	1160							1680*	1110	19402	
- 5.0m	3610*	2790	3230*	2470	2920*	2190	2650*	1950	2420*	1750	2220*	1570	2040*	1410	1870*	1270	1710*	1150							1700*	1140	19060	
- 6.0m	3610*	2730	3240*	2410	2920*	2140	2650*	1910	2420*	1710	2210*	1540	2020*	1380	1850*	1250									1730*	1180	18657	
- 7.0m	3590*	2690	3220*	2370	2900*	2100	2630*	1880	2390*	1380	2180*	1520	1990*	1370	1800*	1250									1760*	1230	18190	
- 8.0m	3540*	2670	3170*	2350	2860*	2090	2590*	1870	2350*	1680	2130*	1520	1920*	1380											1790*	1310	17654	
- 9.0m	3450*	2680	3100*	2360	2790*	2090	2520*	1870	2280*	1690	2050*	1530	1830*	1410											1820*	1400	17042	
- 10.0m	3320*	2710	2980*	2380	2680*	2120	2410*	1900	2160*	1720	1920*	1570													1840*	1530	16344	
- 11.0m	3150*	2760	2820*	2430	2530*	2160	2260*	1950	2000*	1770															1860*	1690	15551	
- 12.0m	2920*	2840	2610*	2510	2320*	2240	2040*	2020																	1860*	1860*	14646	
- 13.0m	2620*	2620*	2320*	2320*	2030*	2030*																			1850*	1850*	13606	
- 14.0m	2220*	2220*	1920*	1920*																					1800*	1800*	12398	
- 15.0m																									1690*	1690*	10964	
- 16.0m																									1430*	1430*	9199	

Lift capacity front and rear.
 Lift capacity full circle.

Notes:

- The above loads are in compliance with SAE and ISO Hydraulic Excavator Lift Capacity Standards.
- They do not exceed 87% of hydraulic lifting capacity or 75% of tipping load.
- Rated loads marked with an asterisk (*) are limited by hydraulic capacity rather than tipping load.



A GLOBAL COMMITMENT TO QUALITY

JCB's total commitment to its products and customers has helped it grow from a one-man business into Britain's largest privately owned manufacturer of backhoe loaders, crawler excavators, wheeled excavators, telescopic handlers, wheeled loaders, dump trucks, rough terrain fork lifts, industrial fork lifts, mini/midi excavators, skid steer loaders and tractors.

By making constant and massive investments in the latest production technology, the JCB factories have become some of the most advanced in Europe.

By leading the field in innovative research and design, extensive testing and stringent quality control, JCB machines have become renowned all over the world for performance, value and reliability.

And with a global sales and service network of over 400 distributors and agents, the company exports over 70% of its production to all five continents.

Through setting the standards by which others are judged, JCB has become one of Britain's most impressive success stories.

